

# 1600T Series Electronic Activated Flush Valve

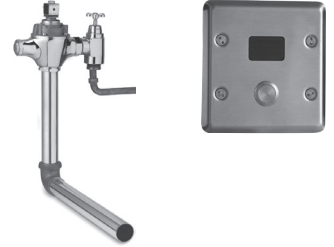
**TECK**<sup>®</sup>  
COMMERCIAL

**DELTA**

## SPECIFICATION: (EXAMPLE)

- **Hardwire** (24 VAC)  
infrared electronic activated concealed flush valve system
- Stainless steel cover with integral sensor utilizing **H<sub>2</sub>Optics**<sup>®</sup> technology and S/S cover and vandal resistant mounting screws
- Metal recessed mounting box or frame, power function light, field selectable sensor range
- Preset blocking time, built-in activation delay
- Electronic manual override
- Solenoid operation valve  
and... with... (add for fixture type required)  
with... (add control/sensor box required)  
with... (for hardwire with battery backup – specify separately – see next page)  
with... (transformer – specify separately – see next page)

**1600T6104ARI &  
1600T6104ATR**



### Engineer/Architect Approval

Model Specified:

Approval:

Date:

## MODEL NUMBER EXAMPLE:

Configurations vary, see below for availability.

# 1600T6103ATR-6

### Fixture Type

- 1 = Wallhung water closet, back inlet
- 2 = Freestanding water closet, back inlet
- 3 = Water closet, top inlet
- 4 = Urinal, back inlet, syphon jet

### Control Box

- 2 = 12" x 18" frame w/cover
- 3 = 12" frame w/cover
- 4 = 4" box

### Trim/Rough-In

- TR** = Trim (requires separate order of rough-in with same flow for complete product)
- RI** = Rough-in (requires separate order of trim with same flow for complete product)

### Flush Volume

- 6 = 1.6 gpf (6 Lpf)
- 48 = 1.27 gpf (4.8 Lpf)
- 05 = 0.125 gpf (0.5 Lpf)
- 19 = 0.5 gpf (1.9 Lpf)
- Blank = Adjustable

AVAILABLE MODELS		CONTROL BOX – HARDWIRE					
		ROUGH-IN (Requires separate order of trim with same flow for complete product)			TRIM Requires separate order of rough-in with same flow for complete product)		
		2 12" x 18" Frame & Flush Valve	3 12" Frame & Flush Valve	4 4" Box & Flush Valve	2 14" x 20" S/S Cover & Sensor	3 14" S/S Cover & Sensor	4 4.5" S/S Cover & Sensor
FITURE TYPE	1 Wall Hung Water Closet, Back Inlet 1 1/2" Spud	1600T6102ARI 1600T6102ARI-48 1600T6102ARI-6	1600T6103ARI 1600T6103ARI-48 1600T6103ARI-6	1600T6104ARI 1600T6104ARI-48 1600T6104ARI-6	1600T6102ATR 1600T6102ATR-48 1600T6102ATR-6	1600T6103ATR 1600T6103ATR-48 1600T6103ATR-6	1600T6104ATR 1600T6104ATR-48 1600T6104ATR-6
	2 Freestanding Water Closet, Back Inlet 1 1/2" Spud	1600T6202ARI 1600T6202ARI-48 1600T6202ARI-6	1600T6203ARI 1600T6203ARI-48 1600T6203ARI-6	1600T6204ARI 1600T6204ARI-48 1600T6204ARI-6	1600T6202ATR 1600T6202ATR-48 1600T6202ATR-6	1600T6203ATR 1600T6203ATR-48 1600T6203ATR-6	1600T6204ATR 1600T6204ATR-48 1600T6204ATR-6
	3 Water Closet, Top Inlet 1 1/2" Spud	1600T6302ARI 1600T6302ARI-48 1600T6302ARI-6	1600T6303ARI 1600T6303ARI-48 1600T6303ARI-6	1600T6304ARI 1600T6304ARI-48 1600T6304ARI-6	1600T6302ATR 1600T6302ATR-48 1600T6302ATR-6	1600T6303ATR 1600T6303ATR-48 1600T6303ATR-6	1600T6304ATR 1600T6304ATR-48 1600T6304ATR-6
	4 Urinal, Back Inlet, Syphon Jet (1) 3/4" Spud	1600T6402ARI 1600T6402ARI-05 1600T6402ARI-19	1600T6403ARI 1600T6403ARI-05 1600T6403ARI-19	1600T6404ARI 1600T6404ARI-05 1600T6404ARI-19	1600T6402ATR 1600T6402ATR-05 1600T6402ATR-19	1600T6403ATR 1600T6403ATR-05 1600T6403ATR-19	1600T6404ATR 1600T6404ATR-05 1600T6404ATR-19

(1) When used for TOP Inlet Urinal Fixture – Exposed Tubing, Flanges, Elbow, etc. **Supplied by Others.**

Note: For high and low pressure applications, please see page FEA-81T High Water Pressure note for more details. Verify flow requirements with bowl manufacturer. Refer to [www.specselect.com](http://www.specselect.com) for individual models.

Note: Use this page front and back, with specification drawing page referenced above, as product submittal sheets.

Delta reserves the right (1) to make changes in specifications and materials, and (2) to change or discontinue models, both without notice or obligation. Dimensions are for reference only. See current full-line price book or [www.specselect.com](http://www.specselect.com) for finish options and product availability.

**DSP-1600T6 Rev. M**

# 1600T Series Electronic Activated Flush Valve

**TECK<sup>®</sup>**  
COMMERCIAL

**DELTA**

## APPROVALS:

- IAPMO listed to ASSE 1037/ASME A112.1037/ CSA B125.37
- Indicates compliance to ICC/ANSI A117.1
- Flush valves EPA WaterSense<sup>®</sup> listed

(Contact Delta Representative for State and/or Local Approvals.)

Patented

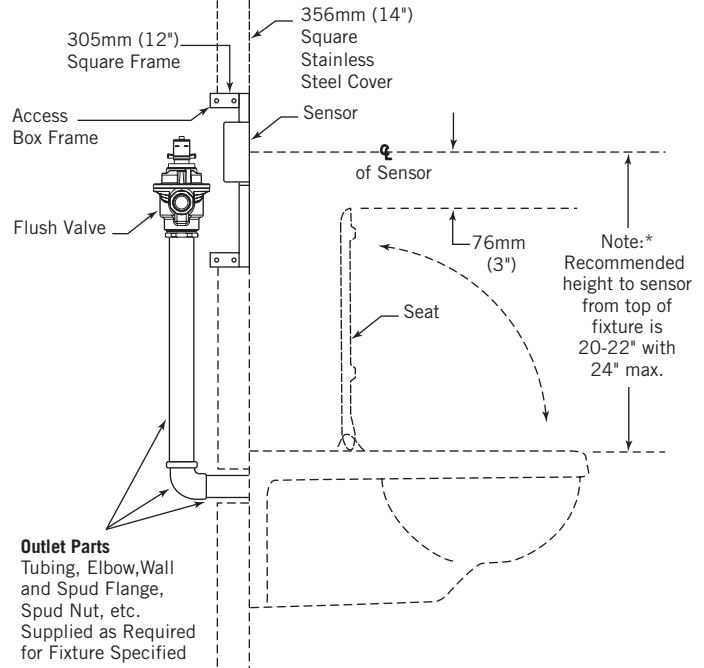
## WATER CLOSET OPERATION:

- 8 second blocking time.
- 4 second activation delay.
- Adjustable flush volume using adjustment screw on flush valve.
- Selectable sensing distance: 24 to 56" in 8" increments factory set to 40"
- **Recommended water supply:**  
Minimum flowing pressure – 25 psi (172 kPa)  
Minimum flow rate – 25 gpm (95 L/min)

## URINAL OPERATION:

- 8 second blocking time.
- 0 second activation delay.
- Adjustable flush volume using adjustment screw on flush valve.
- Selectable sensing distance: 12 to 28" in 4" increments factory set to 20"
- Adjustable 24 hour courtesy flush factory set to off.
- **Recommended water supply:**  
Minimum flowing pressure – 25 psi (172 kPa)  
Minimum flow rate – 8 gpm (30 L/min)

### 1600T6103ARI AND 1600T6103ATR TYPICAL INSTALLATION



\*See Maintenance and Installation Guide for complete sensor height installation instructions.

### "RI" ROUGH-IN MODELS

Supplied as complete flush valve and wall box or wall access frame.

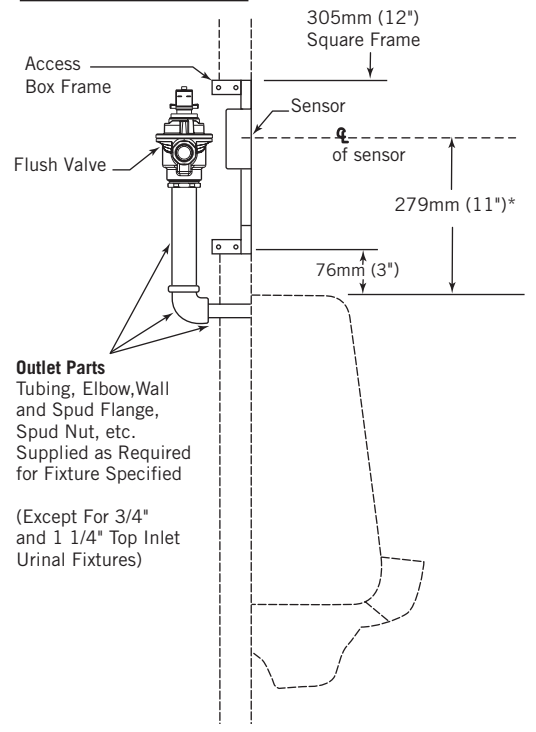
### "TR" TRIM MODELS

Supplied as sensor and over-ride button attached to stainless steel cover.

### AVAILABLE OPTIONS FOR FIELD CONVERSION

- ☐ **061047A**  
Hardwire with Battery Backup.  
See DSP-BB for detailed specification.

### 1600T6403ARI AND 1600T6403ATR TYPICAL INSTALLATION



**Outlet Parts**  
Tubing, Elbow, Wall and Spud Flange, Spud Nut, etc. Supplied as Required for Fixture Specified

(Except For 3/4" and 1 1/4" Top Inlet Urinal Fixtures)

### FLUSH VOLUME OPTIONS Fixture # 1, 2 or 3 (Factory set)

Suffix	Add Suffix to "RI" and "TR" Product Number
None	6 litre (1.6 gal.) Adjustable
-6	6 litre (1.6 gal.) Not field adjustable
-48	4.8 litre (1.27 gal.) Not field adjustable

### FLUSH VOLUME OPTIONS Fixture # 4 (Factory set)

Suffix	Add Suffix to "RI" and "TR" Product Number
None	1.9 litre (0.5 gal.) Adjustable
-19	1.9 litre (0.5 gal.) Not field adjustable
-05	0.5 litre (0.125 gal.) Not field adjustable

### 1600T ELECTRONIC FLUSH VALVE OPTIONAL ACCESSORIES

✓	TRANSFORMERS
	060704A 110 to 24 VAC Class 2 20 VA (For 5 Sensor Modules)
	060771A 110 to 24 VAC Class 2 40 VA (Up to 10 Sensor Modules)
✓	CORDS
	060680A 4' Solenoid Extension Wire
✓	HARDWIRE CONVERTER
	060683A 24 VAC to 6.4 VDC Converter (Supplied standard on Hardwire models)
	061047A 24 VAC to 5 VDC Converter with Battery Backup (Order separately)

Note: Measurements may vary ± 6mm (0.25")

Refer to [www.specselect.com](http://www.specselect.com) for individual models.  
Product supplied as shown by solid lines. All items shown by dotted lines supplied by others.

DSP-1600T6 Rev. M

Delta reserves the right (1) to make changes in specifications and materials, and (2) to change or discontinue models, both without notice or obligation. Dimensions are for reference only. See current full-line price book or [www.specselect.com](http://www.specselect.com) for finish options and product availability.

# 1600T Series Electronic Activated Flush Valve

**TECK**  
COMMERCIAL

**DELTA**

## CONCEALED FLUSH VALVE INSTALLATION (RECESSED MOUNT)

### 1600T SERIES

✓	PRODUCT NO.					VALVE TYPE	MOUNT TYPE	COVER	
	1600T	6	0	2	A	Flush Valve w/ Access Panel Box	Recessed Mount	356 x 508mm (14 x 20")	Stainless Steel
	1600T	6	0	3	A	Flush Valve w/ Access Panel Box	Recessed Mount	356mm (14")	Stainless Steel
	*1600T	6	0	4	A	Flush Valve less Access Panel Box	Recessed Mount	114mm (4-1/2")	Stainless Steel

\*This product is supplied with the Small Sensor Box. Note: Rough-in and Trim Ordered Separately

### 1600T SERIES

**Outlet Parts**  
Tubing, Elbow, Wall and Spud Flange, Spud Nut, etc. Supplied as Required for Fixture Specified

### "RI" ROUGH-IN MODELS

Supplied as complete flush valve and wall box or wall access frame.

### "TR" TRIM MODELS

Supplied as sensor and over-ride button attached to stainless steel cover.

### SMALL SENSOR BOX

**SMALL SENSOR BOX SUPPLIED ONLY ON 1600T6\_04**

**Outlet Parts**  
Tubing, Elbow, Wall and Spud Flange, Spud Nut, etc. Supplied as Required for Fixture Specified

Except for:  
3/4" and 1 1/4" Top Inlet Urinal Fixtures Where Exposed Tubing, Flanges, Elbow, etc. (Supplied by Others)

**\*\* 356mm (14") Square S/S Cover and 305mm (12") Square Frame. SUPPLIED ONLY ON 1600T6\_03 OR**

**\*\* 356 x 508MM (14 x 20") S/S Cover and 305 x 457mm (12 x 18") Frame. SUPPLIED ONLY ON 1600T6\_02**

Product supplied as shown by Solid Lines.  
All items shown by Dotted Lines Supplied by Others.

Note: Measurements may vary ± 6mm (0.25")